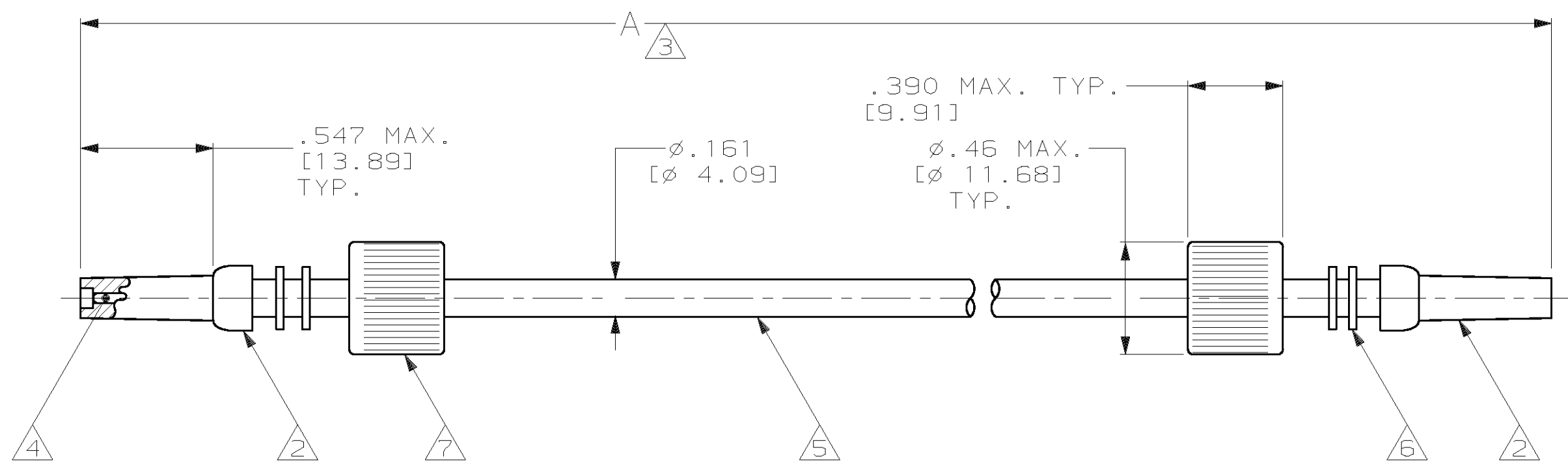


THIS DRAWING IS UNPUBLISHED. RELEASED FOR PUBLICATION
 © COPYRIGHT 19 BY AMP INCORPORATED. ALL INTERNATIONAL RIGHTS RESERVED.

LOC	DIST	P	F	ZONE	LTR	DESCRIPTION	DATE	APPD
DF	50				Z	REV PER 0G3D-0348-03 JMK	1-04	DE

PART NO	ASSY. TYPE	A	NOTE
830612-1	I	24.00 [609.6]	-
830612-2	I	12.00 [304.8]	-
830612-3	I	6.00 [152.4]	-
830612-4	I	48.00 [1219.2]	-
830612-5	I	91.00 [2311.4]	OBSOLETE
830612-6	I	83.00 [2108.2]	-
830612-7	I	75.00 [1905.0]	OBSOLETE
830612-8	I	18.00 [457.6]	-
830612-9	I	10.00 [254.0]	-
1-830612-0	I	7.00 [177.8]	OBSOLETE
1-830612-1	I	9.00 [228.6]	OBSOLETE
1-830612-2	I	30.00 [762.0]	-
1-830612-3	I	12.50 [317.5]	OBSOLETE
1-830612-4	I	16.00 [406.4]	-
1-830612-5	I	14.50 [368.3]	OBSOLETE
1-830612-6	I	42.00 [1066.8]	OBSOLETE
1-830612-7	I	8.50 [215.9]	-
1-830612-8	I	3.75 [95.2]	OBSOLETE
1-830612-9	I	60.00 [1524.0]	
2-830612-0	I	14.00 [355.6]	OBSOLETE
2-830612-1	I	5.00 [127.0]	-
2-830612-2	I	84.00 [2133.6]	OBSOLETE
2-830612-3	I	15.00 [381.0]	-
2-830612-4	I	8.00 [203.2]	-
2-830612-5	I	7.60 [193.0]	OBSOLETE
2-830612-6	I	36.00 [914.4]	-
2-830612-7	I	160.00 [4064.0]	-
2-830612-8	I	20.00 [508.0]	-
2-830612-9	I	11.00 [279.4]	OBSOLETE
3-830612-0	I	13.00 [330.2]	OBSOLETE
3-830612-1	I	96.00 [2438.4]	-
3-830612-2	I	5.50 [139.7]	OBSOLETE
3-830612-3	I	7.50 [190.5]	OBSOLETE
3-830612-4	I	945.00 [24003.0]	OBSOLETE
3-830612-5	I	120.00 [3048.0]	OBSOLETE
3-830612-6	I	19.00 [482.6]	OBSOLETE
3-830612-7	I	40.00 [1016.0]	-
3-830612-8	I	100.00 [2540.0]	OBSOLETE
3-830612-9	I	236.25 [6000.7]	OBSOLETE
4-830612-0	I	79.00 [2006.6]	-
4-830612-1	I	140.00 [3556.0]	-
4-830612-2	I	5.12 [130.0]	OBSOLETE
4-830612-3	I	137.00 [3479.8]	OBSOLETE
4-830612-4	I	18.00 [467.2]	OBSOLETE
4-830612-5	I	98.5 [2501.9]	-



1. MARK PER MIL-STD-130
2. MOLDED ENDS, SILICONE RUBBER, 2-REQD.
3. TOLERANCE: UP TO 24" [609.6] = \pm .12" [\pm 3.0], 24" [609.6] & UP = \pm 1%
4. SOCKET, 2-REQD.
5. #16 GAUGE STRANDED CONDUCTOR, SILICONE INSULATION
COLOR: WHITE
6. TEFLON WASHER, 4-REQD.
7. CAP, 2-REQD.
8. TO MATE WITH AMP LGH-1/2 RECEPTACLE WITH .53 BARREL DEPTH.
9. DIMENSIONS IN BRACKETS ARE IN MILLIMETERS.
METRIC EQUIVALENTS ARE GIVEN BASED
UPON 1.00 INCH = 25.4 mm.
10. OPERATING CONDITIONS: 10KVDC, SEA LEVEL TO +70,000 FEET,
-55°C TO +125°C

DO NOT SCALE PRINT. UNLESS SPECIFIED DIMENSIONS IN INCHES [mm] TOLERANCES ON : 2 PLC DEC \pm - 3 PLC DEC \pm .005 [0.13] ANGLES \pm -	DR 9-8-89 W.LEUFERT	AMP INCORPORATED Harrisburg, Pa. 17105		
	CHK 10-10-89 G.SCHAEFFER			APPD 10-11-89 DAN EABY
MATERIAL SEE CALLOUTS	APPD 10-11-89 D.EABY	NAME ELECTRICAL LEAD, DOUBLE MOLDED END, LGH-1/2 (#16)		
FINISH SEE CALLOUTS	PRODUCT SPEC -	SIZE C	FSCM NO 00779	DRAWING NO 830612
	APPLICATION SPEC -	SCALE 2:1		SHEET 1 of 1
	WEIGHT -			